



DS
DEAD SILENCE 14cm BLACK



FAN BLADE

The world's first dual-layered fan blades - combination of plastic and rubber fan blades to absorb "Wind" noise.
 Patent : Taiwan - M468707 ; Germany - 202014101115.3 ; China - ZL 2013 2 0713376.8 Patent pending : USA



Optimized fan blade angle design for a perfect balance of airflow and noise.



NOISE DAMPING ANTI-VIBRATION

2-IN-1 silencer block and anti-vibration pads reduce vibration and further reducing noise from spinning fan.

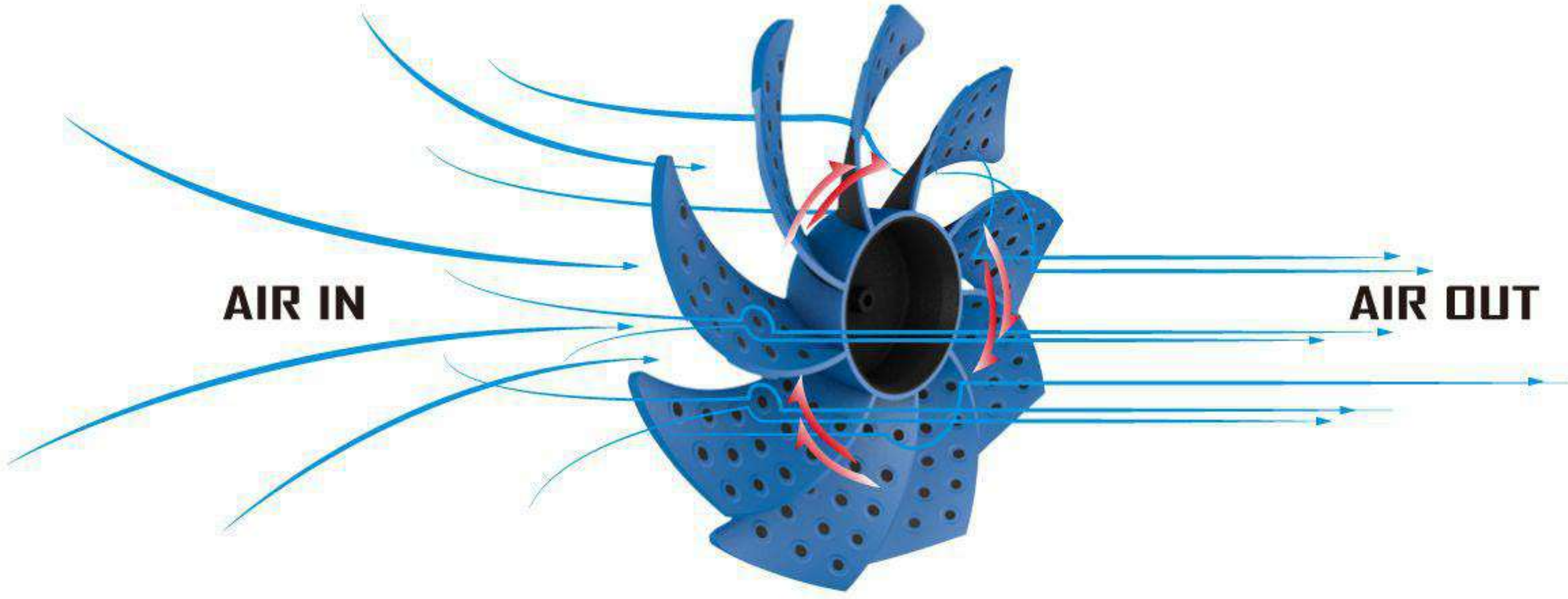


Silencer blocks in action.

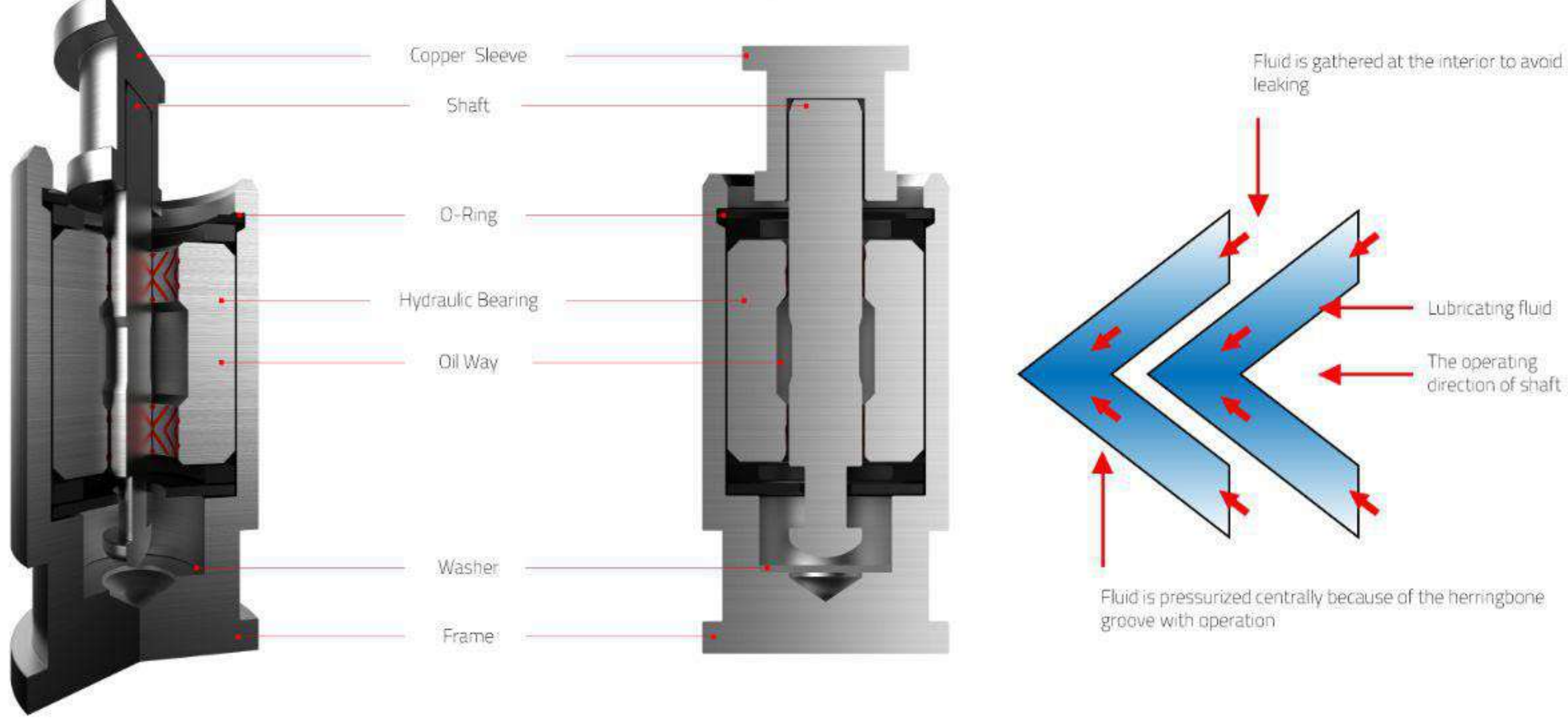


GOLF BALL DESIGN

"Golf Ball" surface design on the back side of the fan blades will minimize the air turbulence.



FDB (Fluid Dynamic Bearing) TECHNOLOGY



GALLERY



SPECIFICATION

Model Name	Dead Silent 14cm	
Dimensions	140 X 140 X 25mm	
Net Weight	190g	
Gross Weight	270g (Retail Box Included)	
Bearing System	FDB (Fluid Dynamic Bearing)	
Rated Voltage	DC 12V	
Starting Voltage	≥3.0V	
Rated Current	0.39A	
Power Consumption	4.68W	
Power Connector	3Pin With Signal Cable	
Accessories	3Pin To Molex 4pin Adapter x1 7V Voltage Reduction 3pin Adapter x1 Screws x4 Rubber Rivet x4	
MTBF	100,000 hours	
Performance	12V	7V - With 7V Voltage Reduction 3pin Adapter
Speed	1500 RPM±10%	1100 RPM±10%
Air Flow	93.4 CFM (158.3 m ³ /h)	71.2 CFM (120.7m ³ /h)
Air Pressure	1.98mm H2O	1.41 mm H2O
Noise	23.4dBA	15.5 dBA
EAN Code	4713105951608 - Black Edition 4713105951622 - Blue Edition 4713105951615 - Red Edition 4713105951639 - White Edition	

REVIEWS & AWARDS



VIDEO REVIEWS

