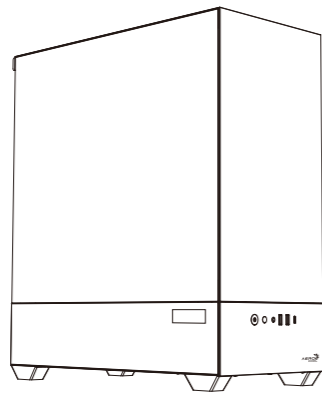




P500D Digi

Mini Tower Case

Save Money. Build Better.



aerocool.io

Digital Display

Software Download

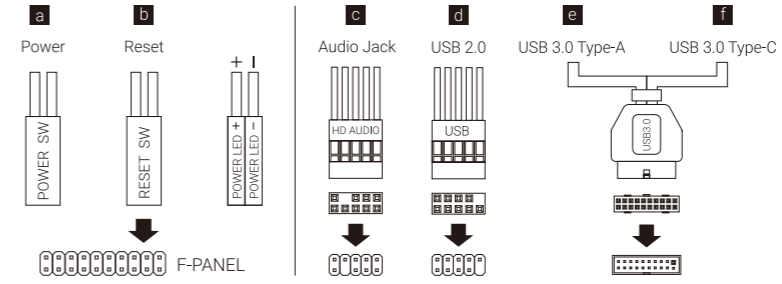
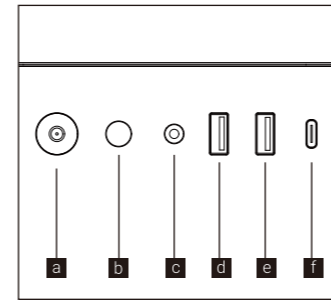


<https://aerocool.io/display-controller>

Cable Connection



Front I/O Cable Connection

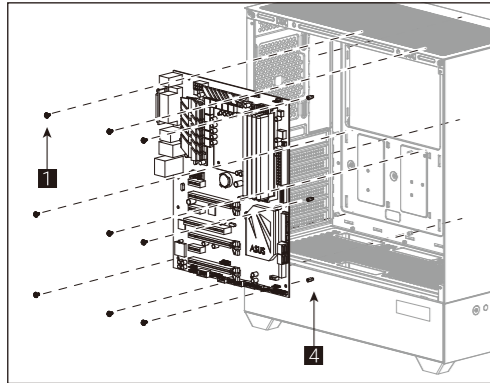


(Please refer to the motherboard's manual for further instructions).
Note: Specifications may vary depending on your region. Contact your local retailer for more information.

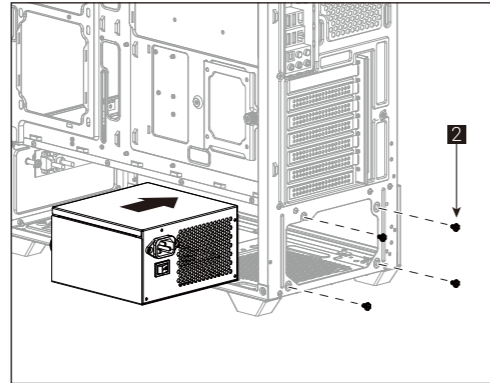
Accessory Bag Contents

- 1 x 18 | SSD Screw
- 2 x 6 | PSU Screw
- 3 x 8 | HDD Screw
- 4 x 3 | MB Standoff
- 5 x 1 | Female Clip
- 6 x 5 | Cable Ties

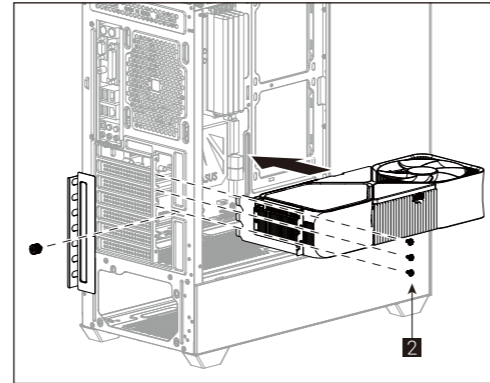
(1) Install Motherboard



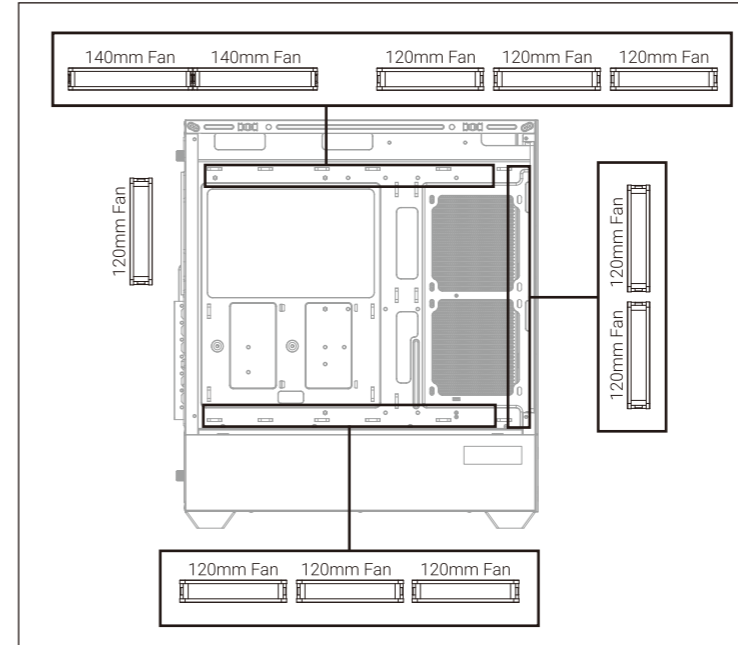
(2) Install Power Supply Unit



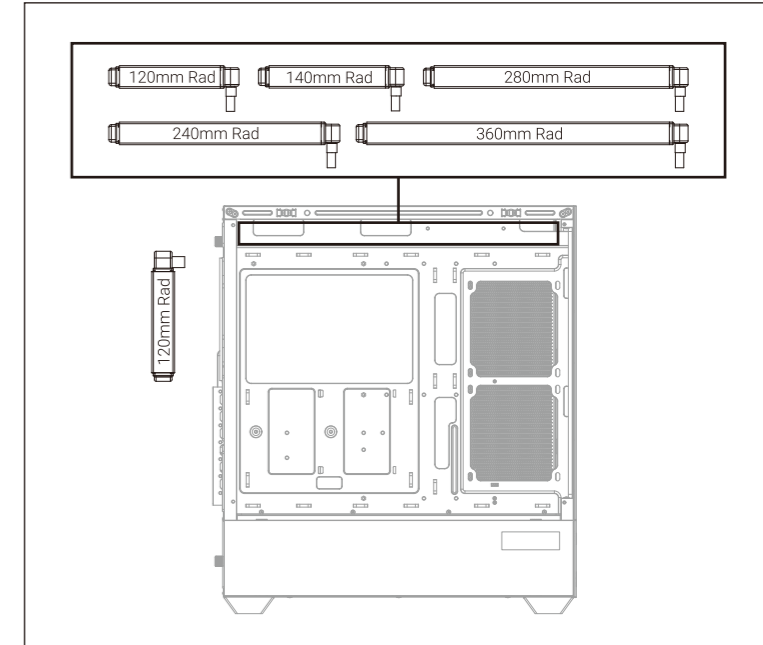
(3) Install VGA



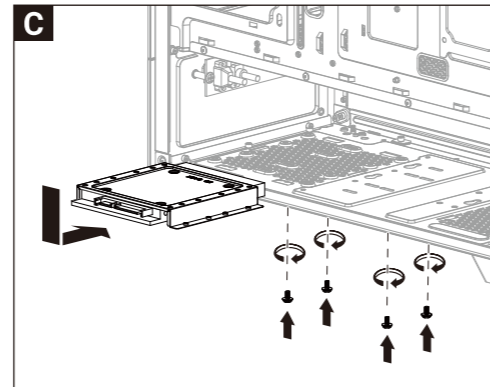
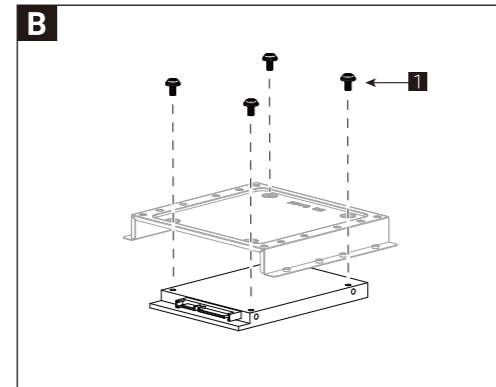
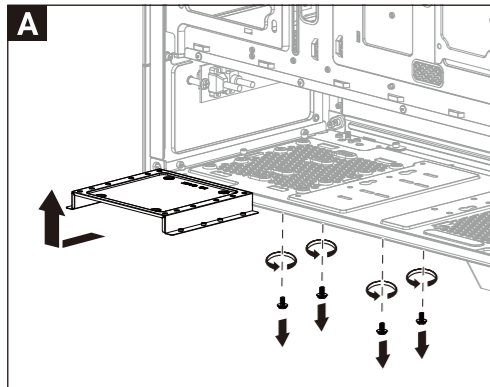
Fan Support



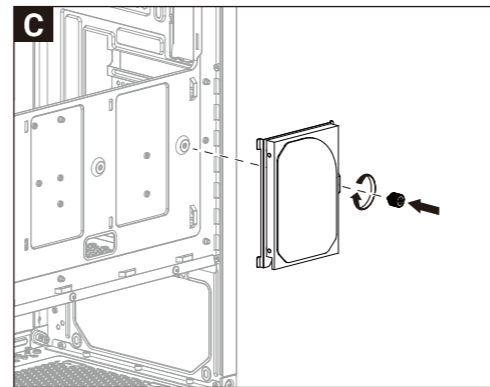
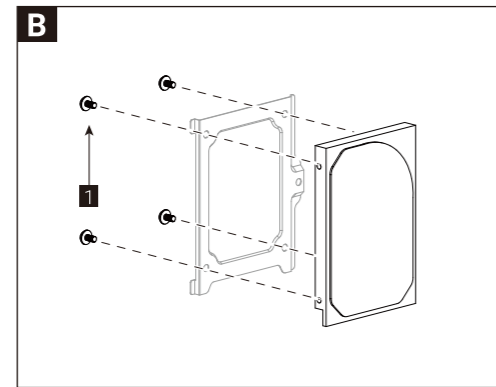
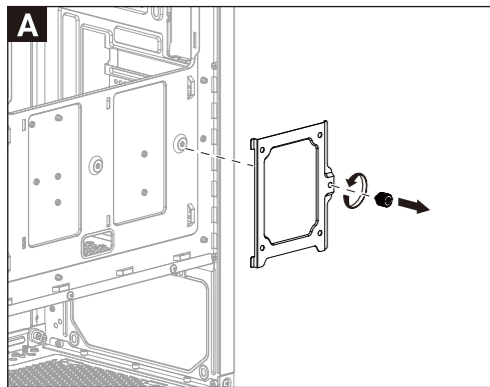
Radiator Support



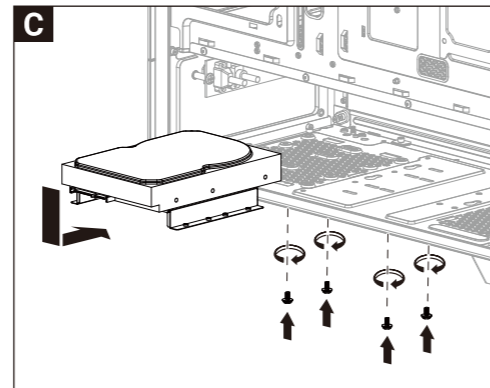
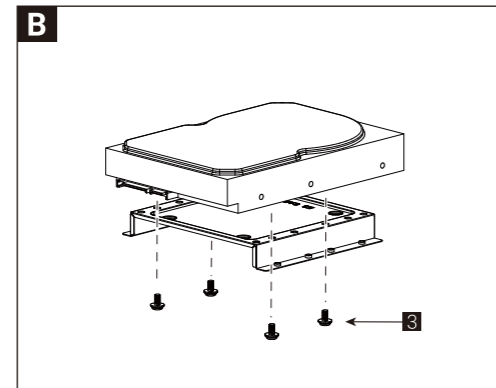
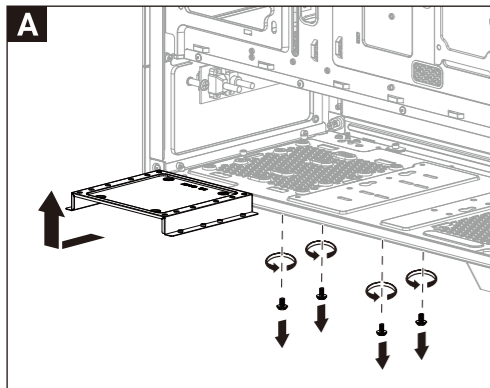
(4a) Install 2.5" SSD x1



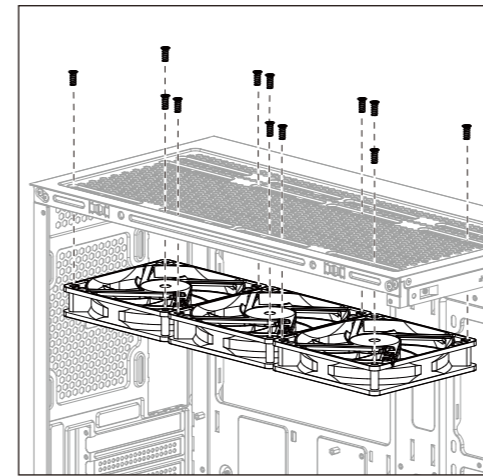
(4b) Install 2.5" SSD x1



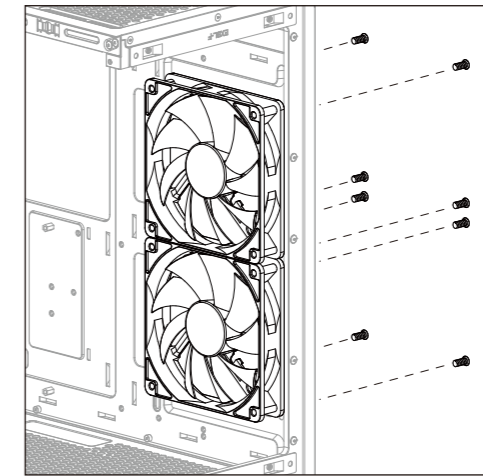
(5) Install 3.5" HDD x1



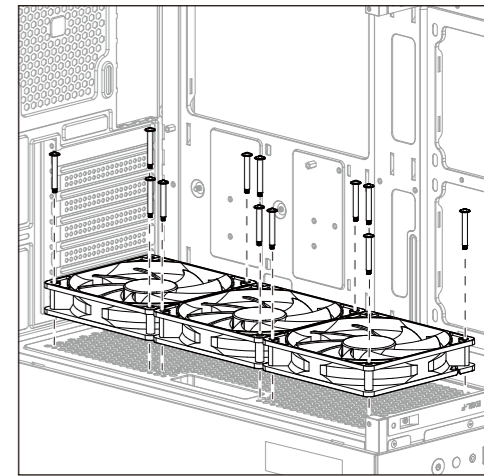
(6a) Install Top Fan



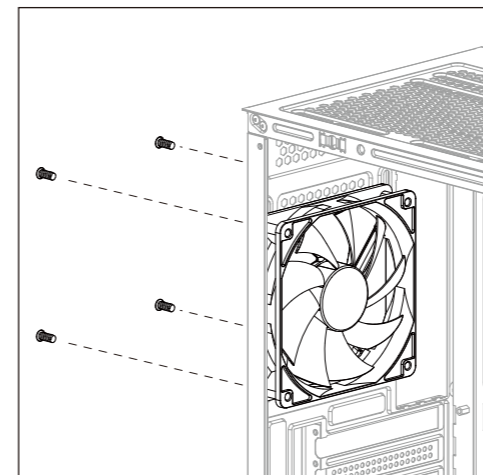
(6b) Install Side Fan



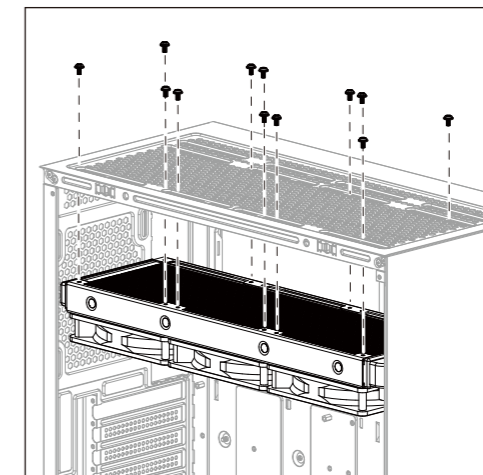
(6c) Install PSU Fan



(6d) Install Rear Fan



(7a) Install Top Radiator



(7b) Install Rear Radiator

