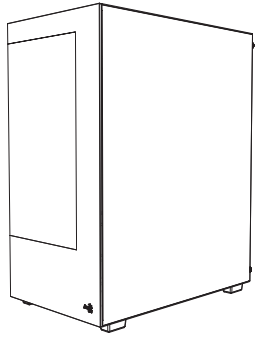


Pivot

Mid Tower Case

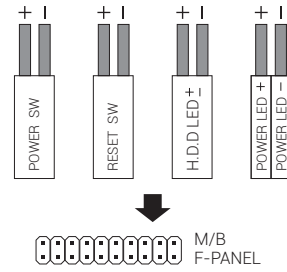
Save Money. Build Better.



Front I/O Cable Connection

Front I/O Connectors

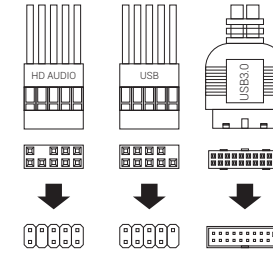
(Please refer to the motherboard's manual for further instructions). Note Specifications may vary depending on your region. Contact your local retailer for more information.



aerocool.io

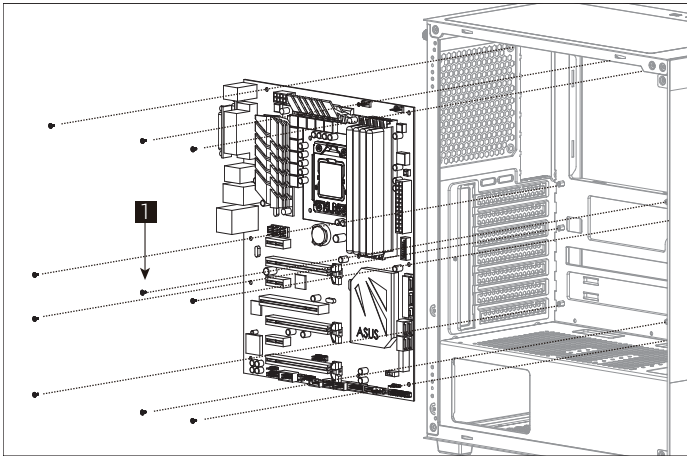
Accessory Bag Contents

- 1 x 18 SSD Screw | MB Screw
- 2 x 6 PSU Screw | PCI Screw
- 3 x 9 HDD Screw
- 4 x 3 MB Standoff
- 5 x 5 Cable Tie
- 6 x 8 Fan Screw

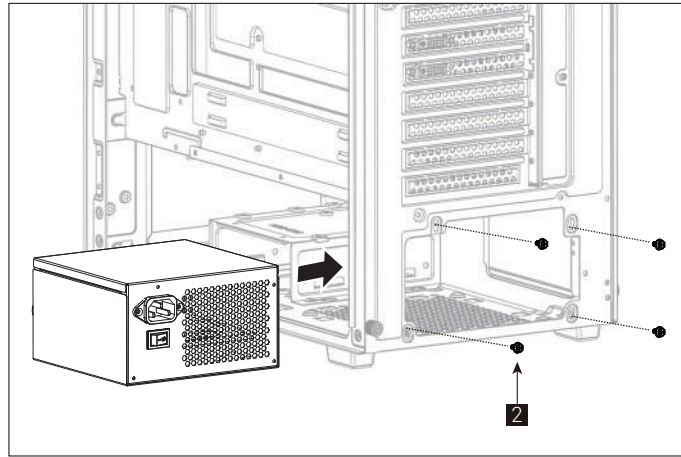


How to Install

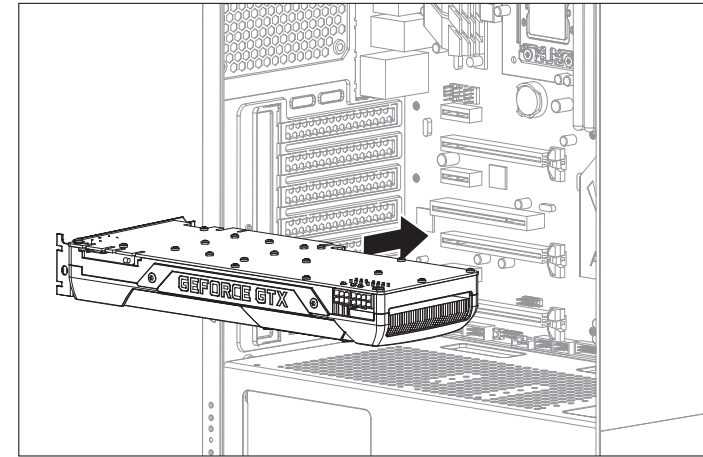
(1) Install Motherboard



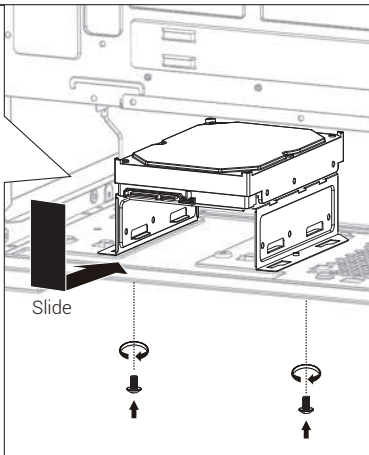
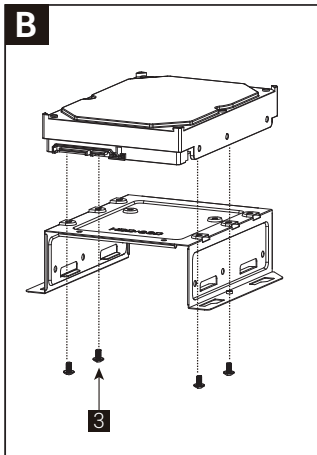
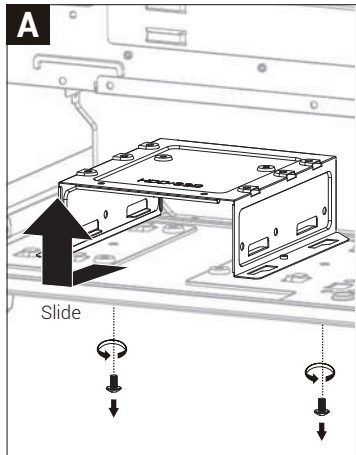
(2) Install PSU



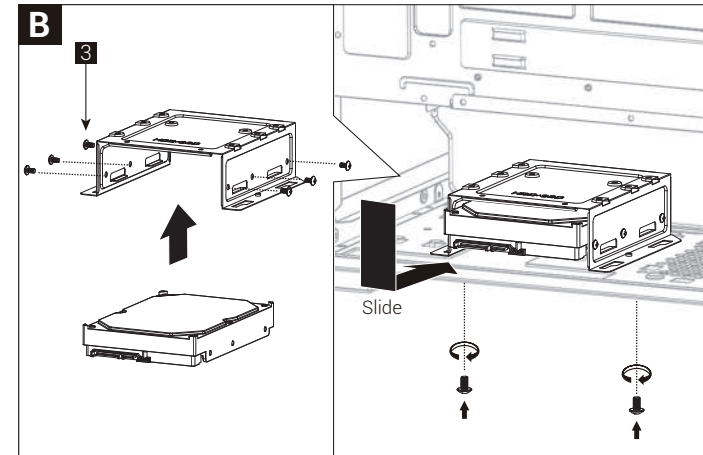
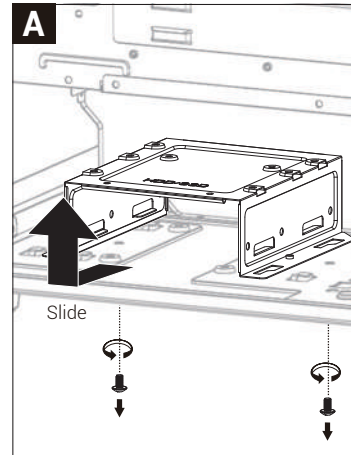
(3) Install Add-on Card



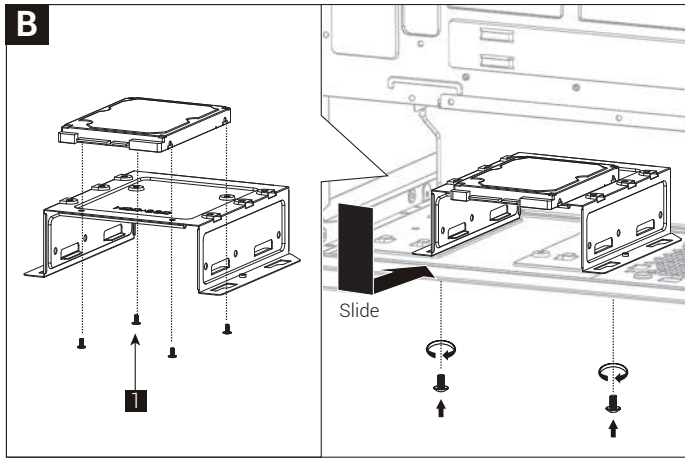
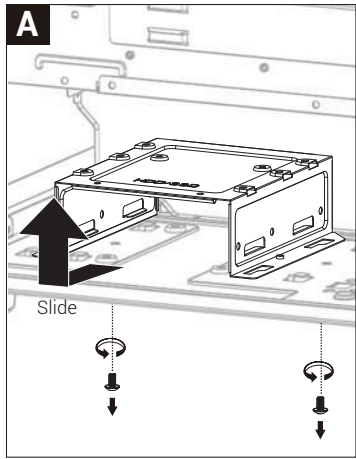
(4a) Install 3.5" HDDx1



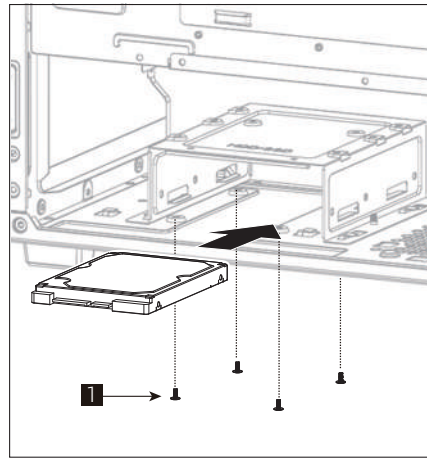
(4b) Install 3.5" HDDx1



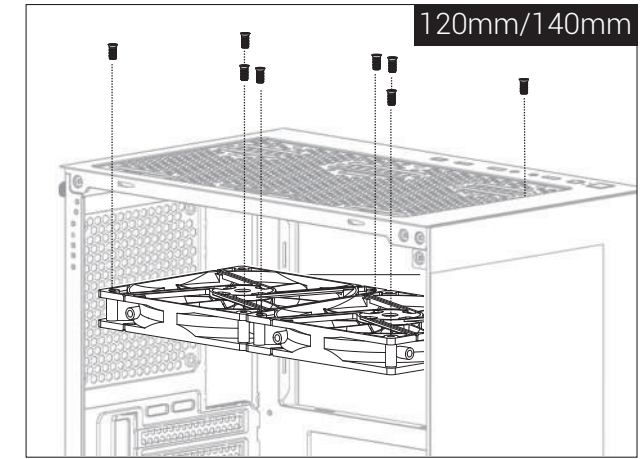
(5a) Install 2.5" SSD x1



(5b) Install 2.5" SSD x1



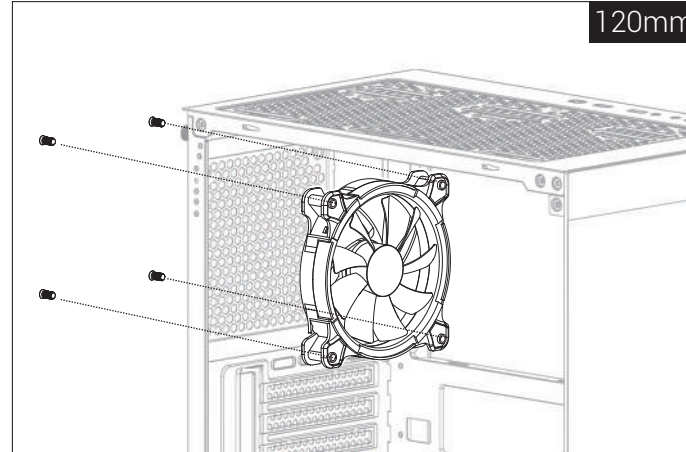
(6) Install Top Fans



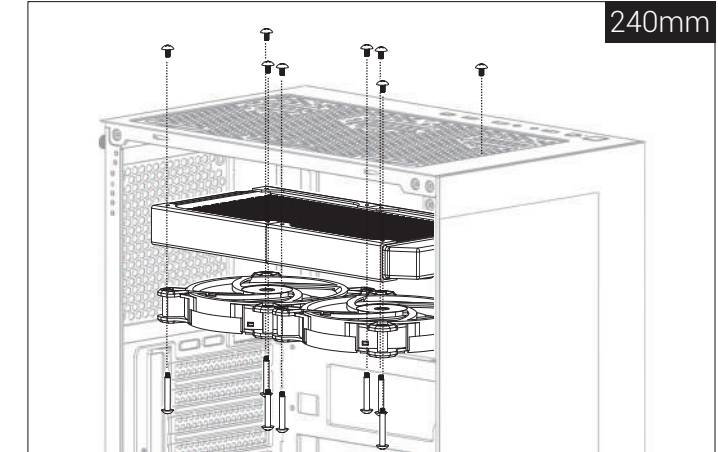
(7) Install PSU Fans



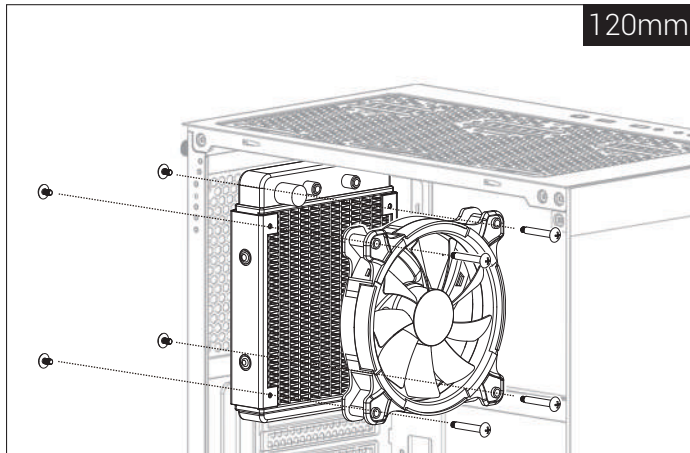
(8) Install Rear Fan



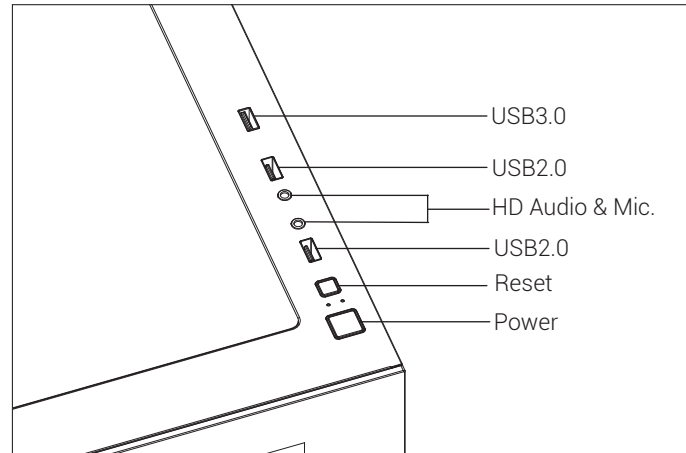
(9) Install Top Radiator



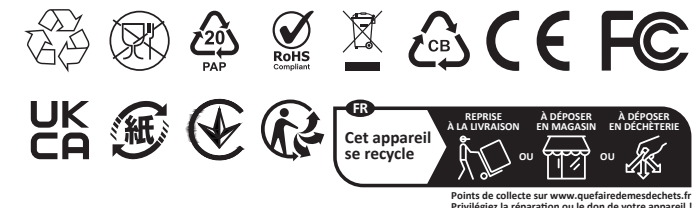
(10) Install Rear Radiator



(11) I/O Port



Note :
Specifications may vary depending on your region.
Contact your local retailer for more information.



Points de collecte sur www.quefairedemesdechets.fr
Privilégiez la réparation ou le don de votre appareil !