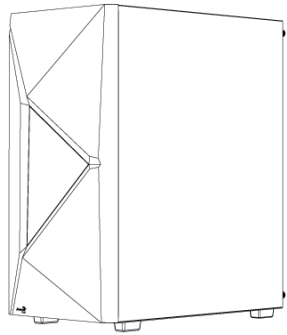


Player

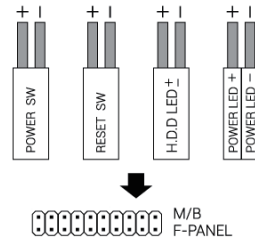
Mid Tower Case

Save Money. Build Better.



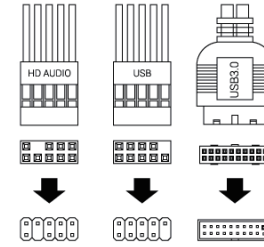
Front I/O Connection

Front I/O Connectors
(Please refer to the motherboard's manual for further instructions).



aerocool.io

Note : Specifications may vary depending on your region.
Contact your local retailer for more information.

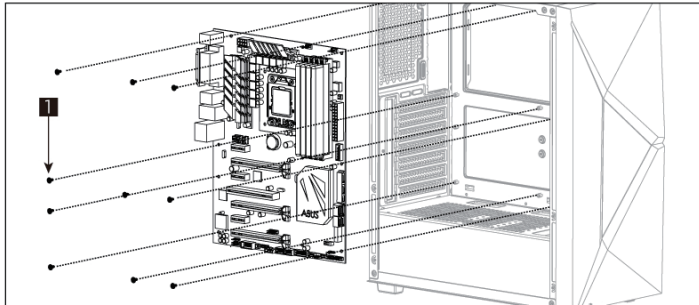


Accessory Bag Contents

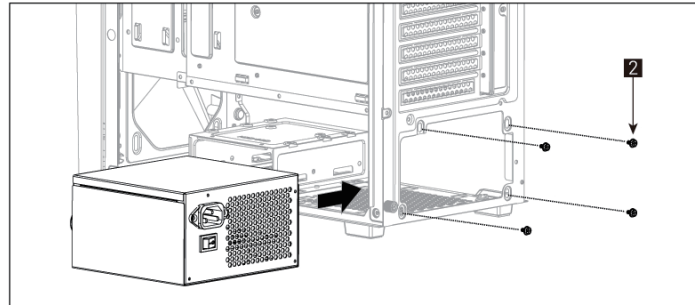
- 1 x 18 | SSD Screw MB Screw
- 2 x 6 | PSU Screw PCI Screw
- 3 x 9 | HDD Screw
- 4 x 3 | MB Standoff
- 5 x 8 | Fan Screw
- 6 x 5 | Cable Tie

How to Install

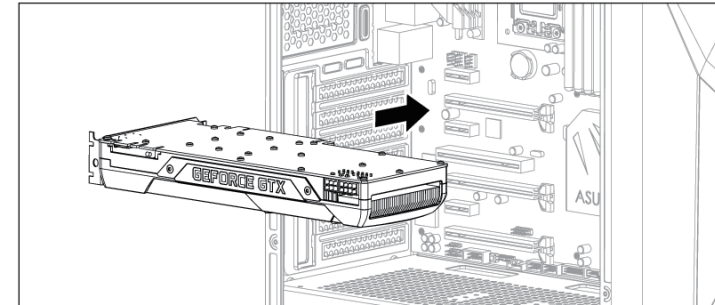
(1) Install Motherboard



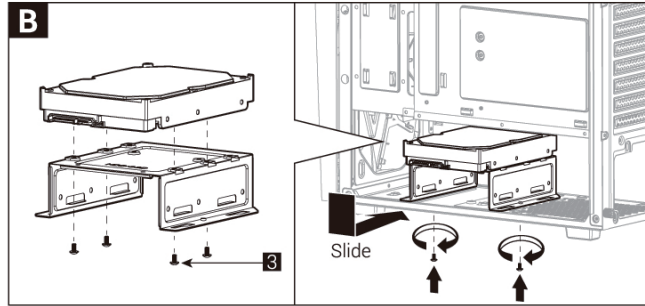
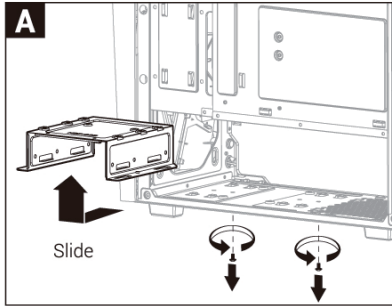
(2) Install PSU



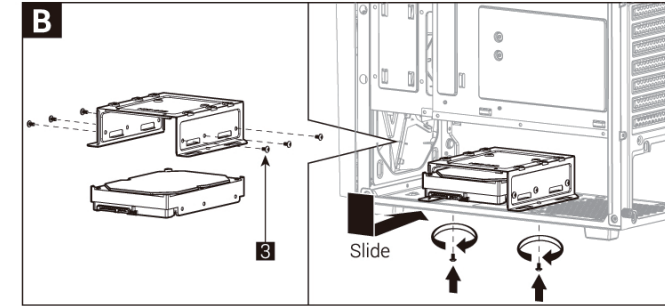
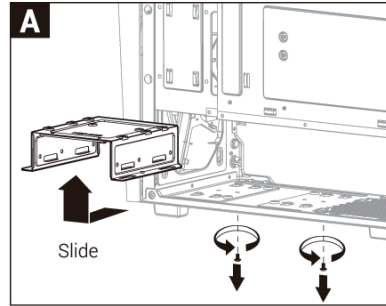
(3) Install Add-on Card



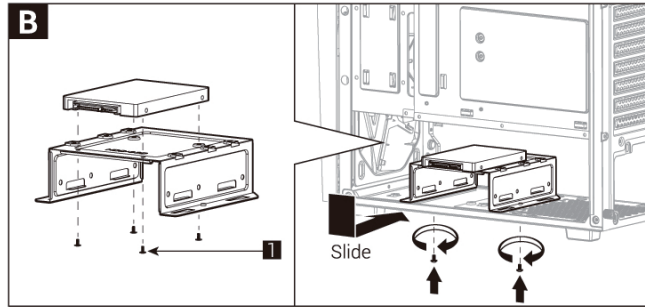
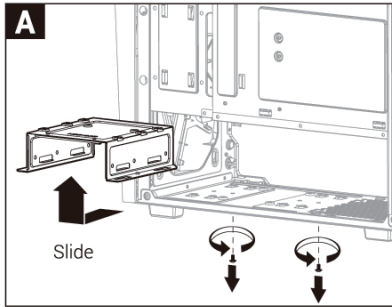
(4a) Install 3.5" HDD x1



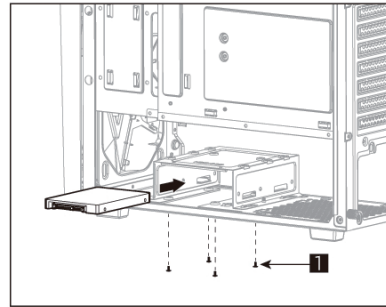
(4b) Install 3.5" HDD x1



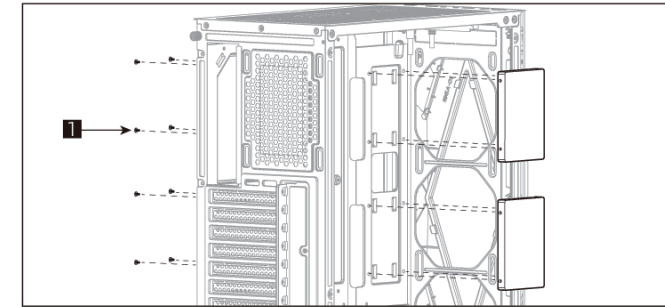
(5a) Install 2.5" SSD x1



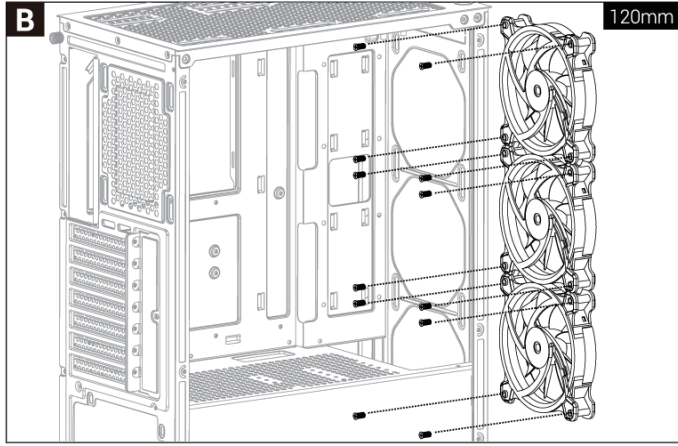
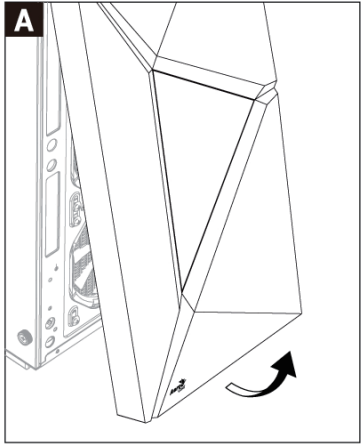
(5b) Install 2.5" SSD x1



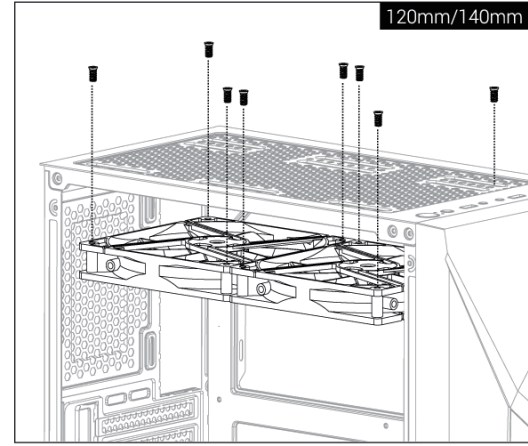
(5c) Install 2.5" SSD x2



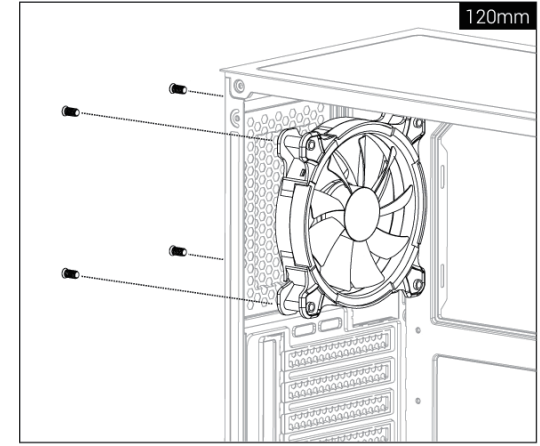
(6) Install Front Fan



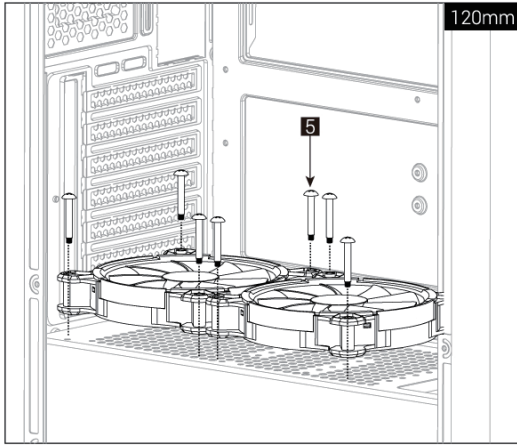
(7) Install Top Fans



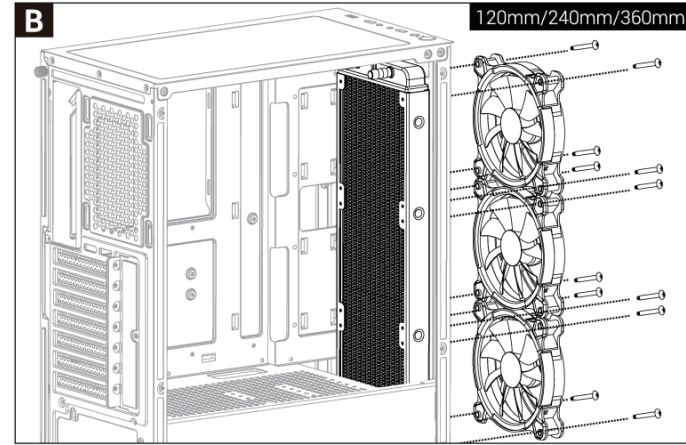
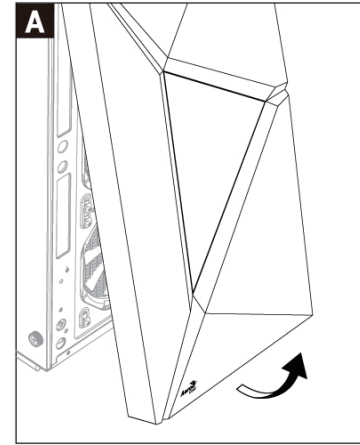
(8) Install Rear Fan



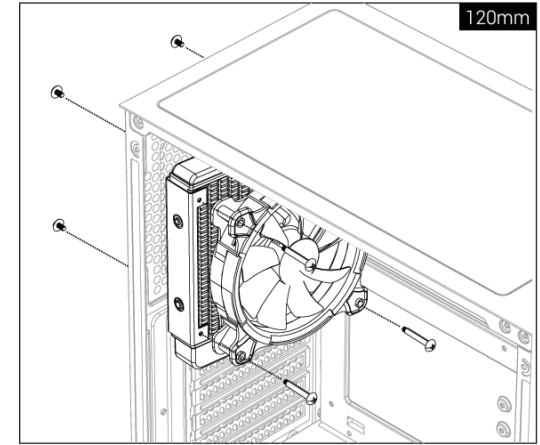
(9) Install PSU Fan



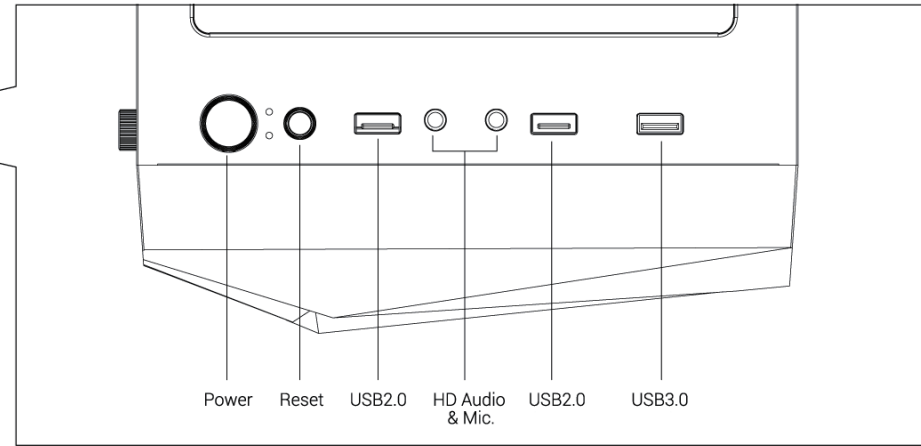
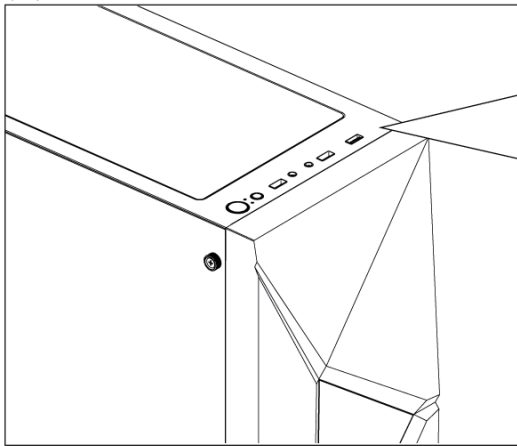
(10) Install Front Radiator



(11) Install Rear Radiator



(12) I/O Panel



Points de collecte sur www.quefairedemesdechets.fr
 Privilégiez la réparation ou le don de votre appareil !