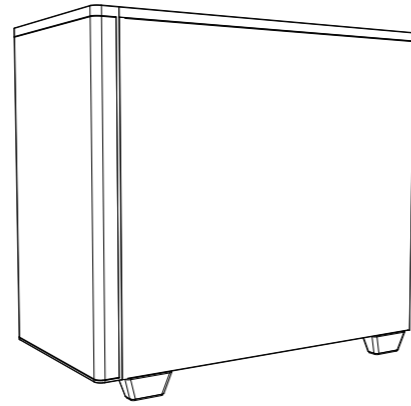


# Stormfront Mini

Mini Tower Case

Save Money. Build Better.

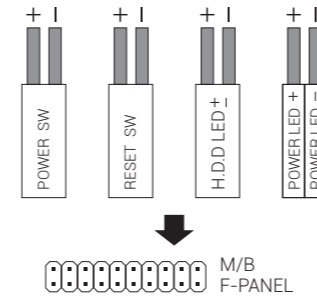


aerocool.io

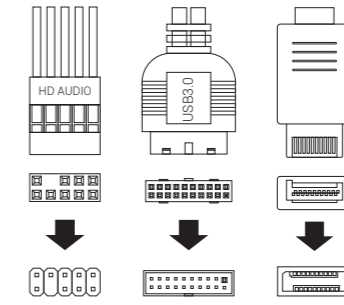
## Front I/O Cable Connection

Front I/O Connectors

(Please refer to the motherboard's manual for further instructions).



Note : Specifications may vary depending on your region. Contact your local retailer for more information.

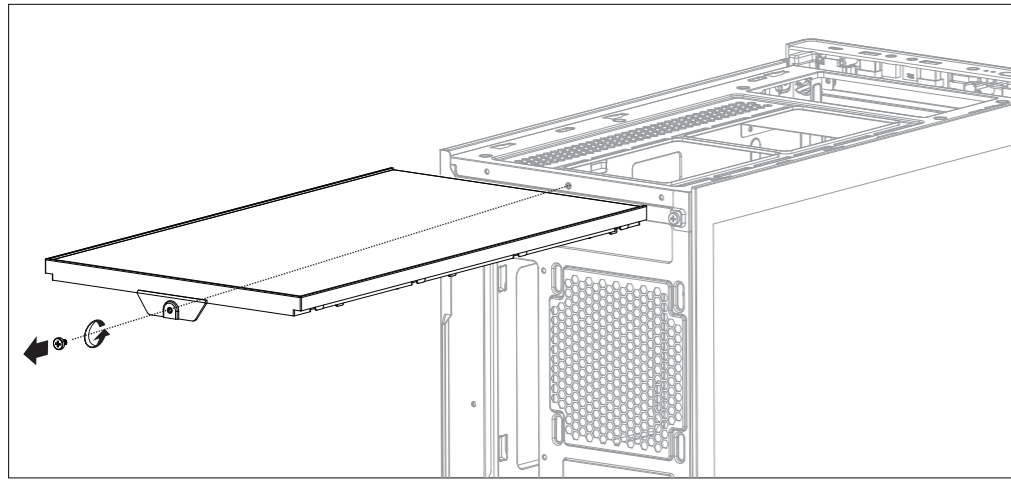


## Accessory Bag Contents

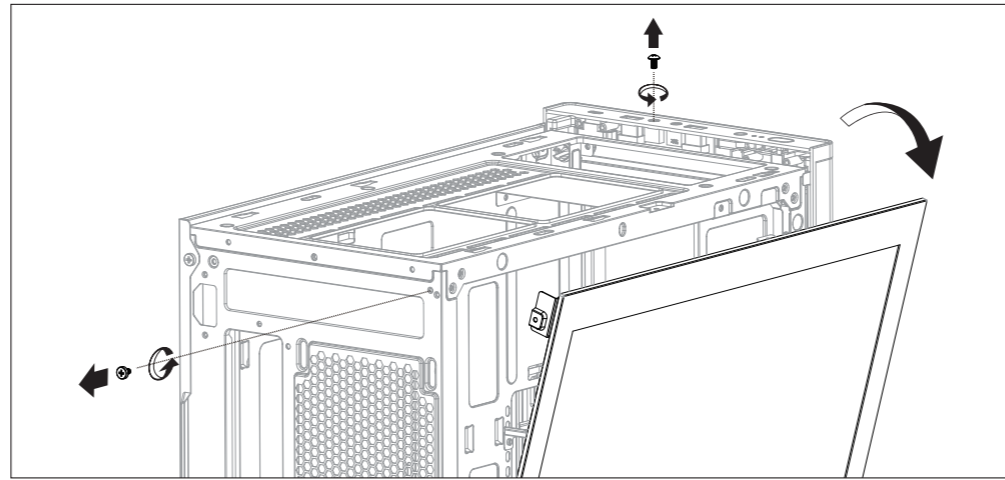
- 1 x 18 SSD Screw | MB Screw
- 2 x 6 PSU Screw | PCI Screw
- 3 x 9 HDD Screw
- 4 x 3 MB Standoff
- 5 x 5 Cable Tie

## How to Install

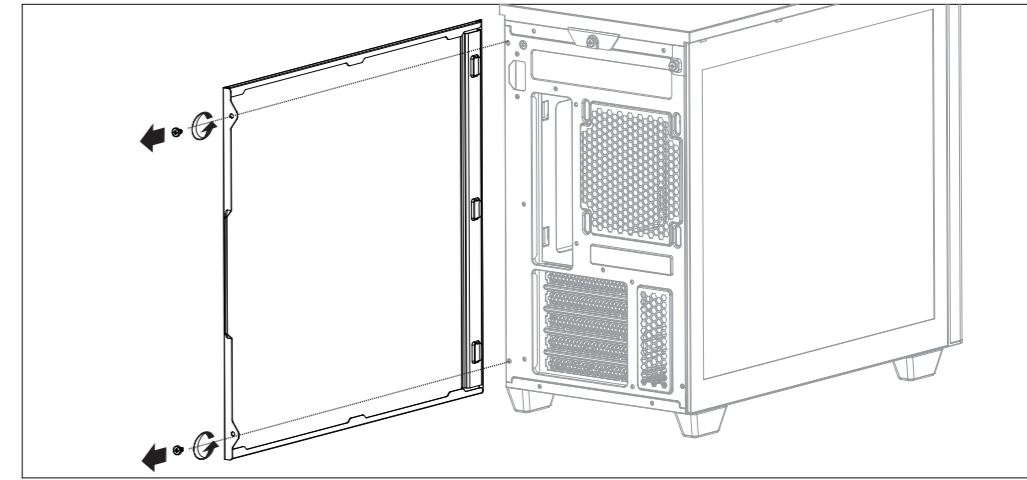
(1) Remove Top Panel



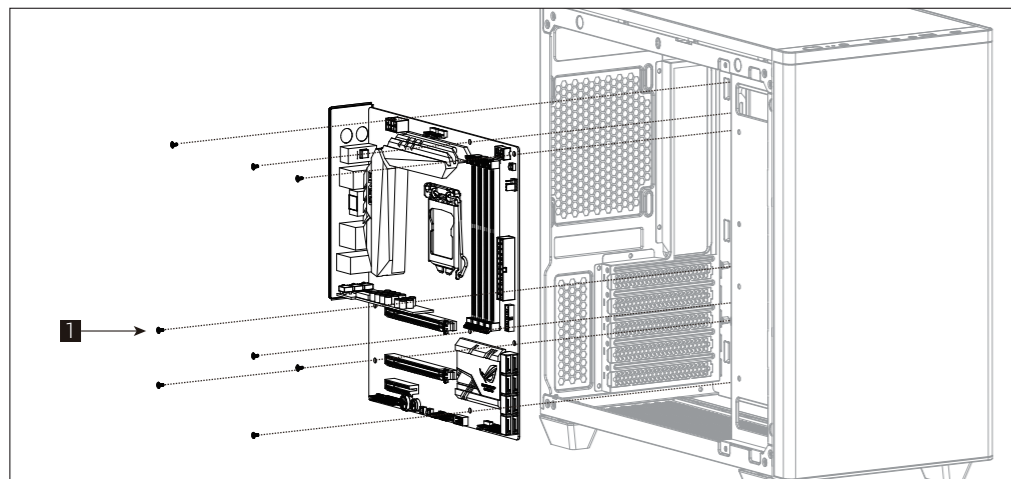
(2) Remove Right Panel



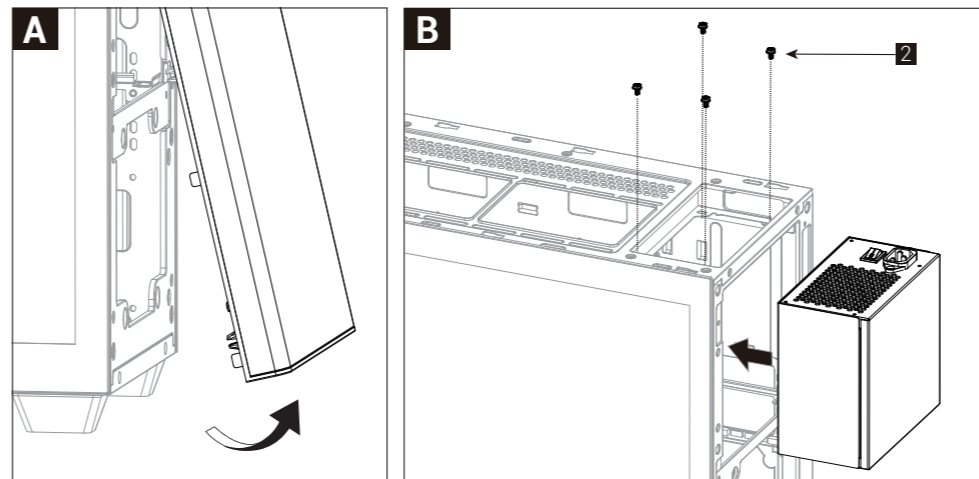
(3) Remove Left Panel



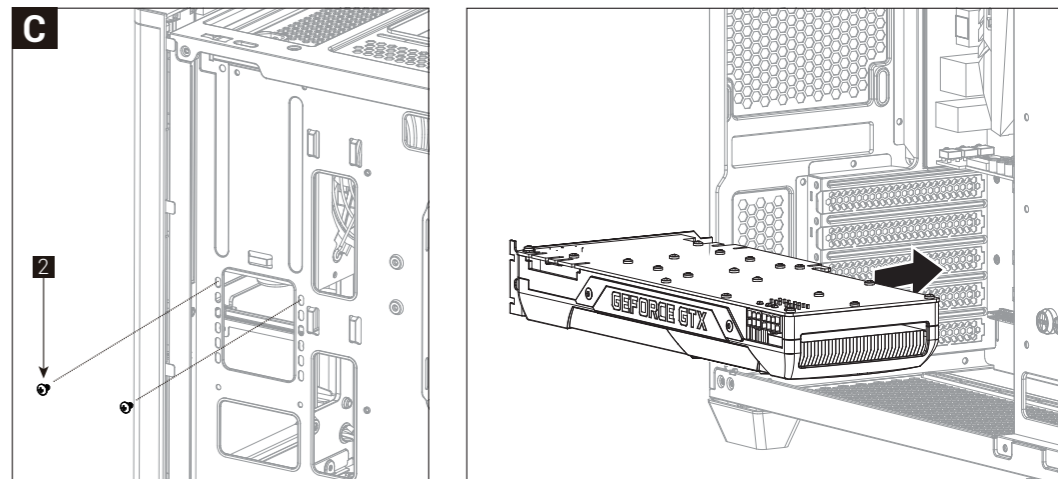
(4) Install Motherboard



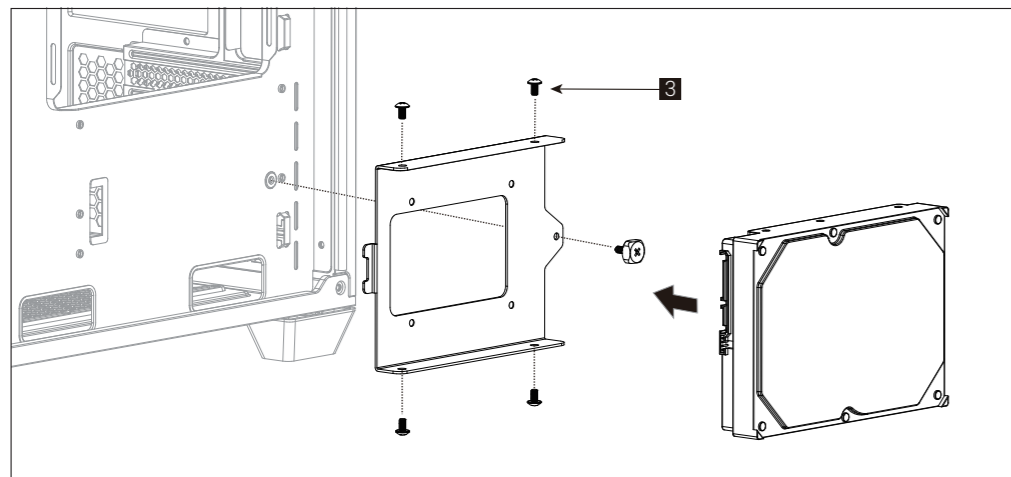
(5) Install PSU



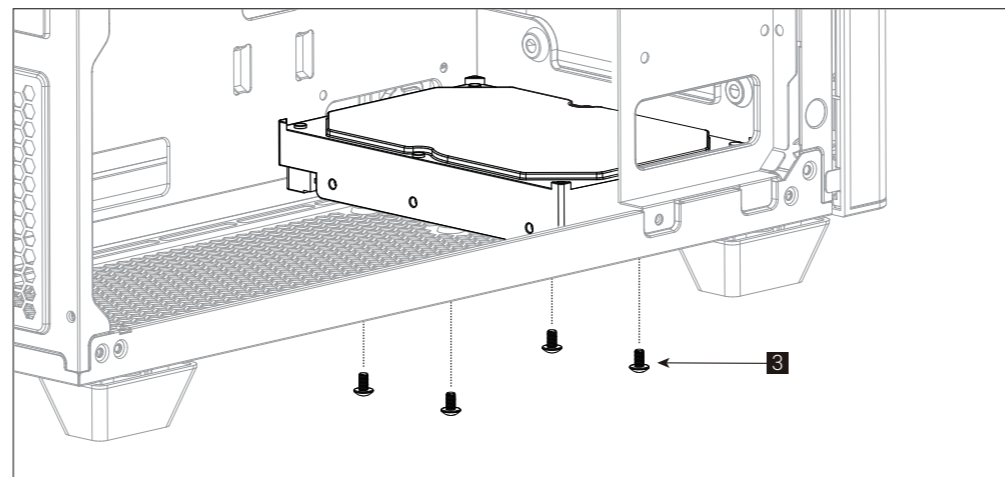
(6) Install Add-on Card



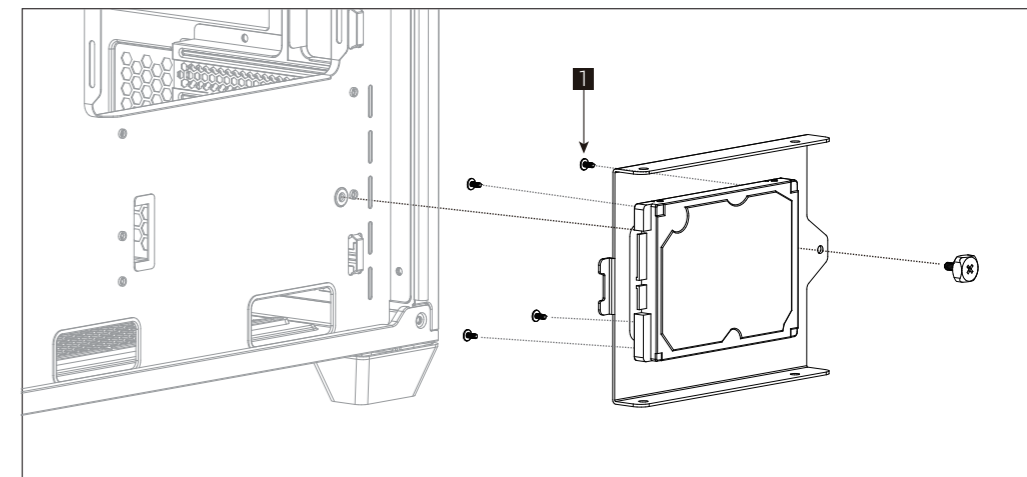
(7a) Install 3.5" HDD x1



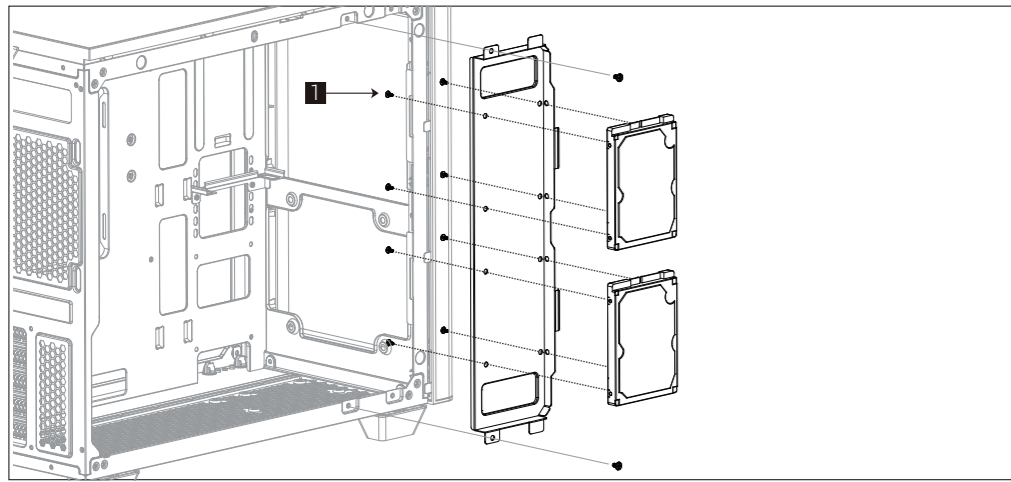
(7b) Install 3.5" HDD x1



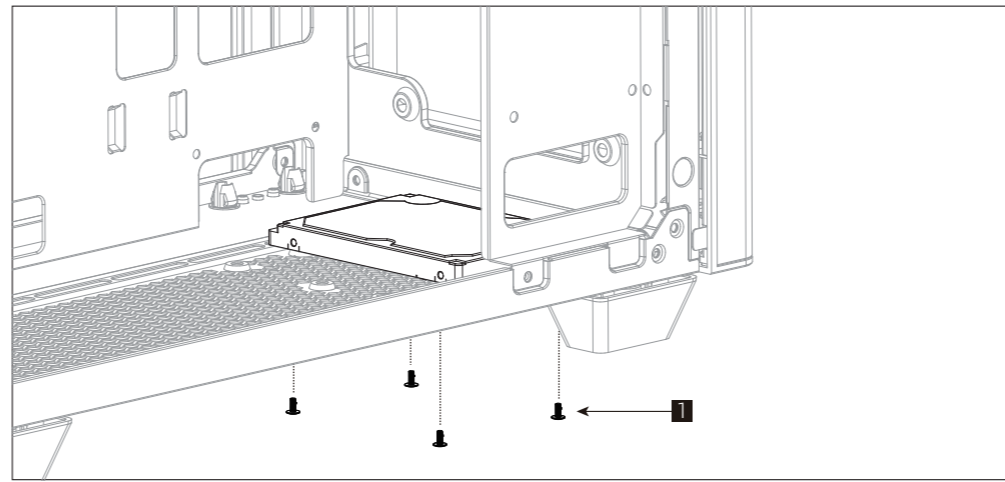
(8a) Install 2.5" SSD x1



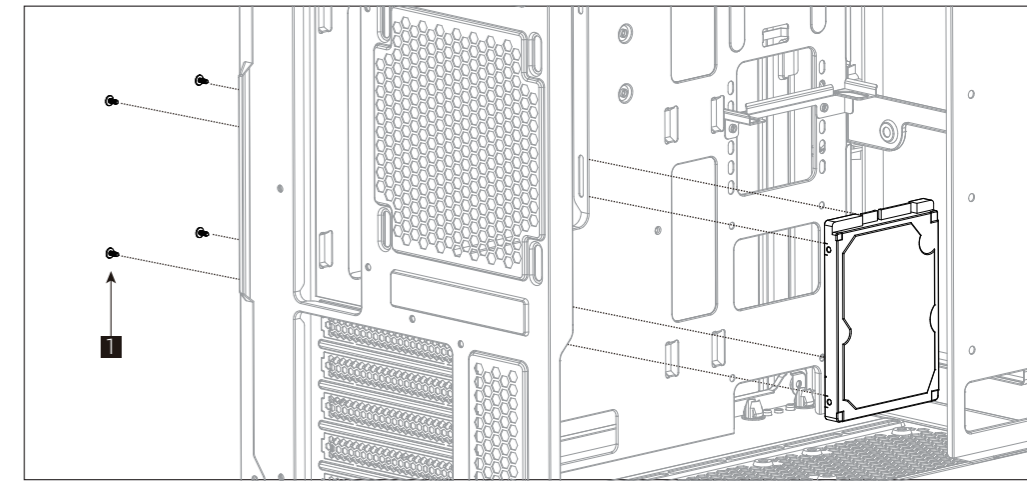
(8b) Install 2.5" SSD x1



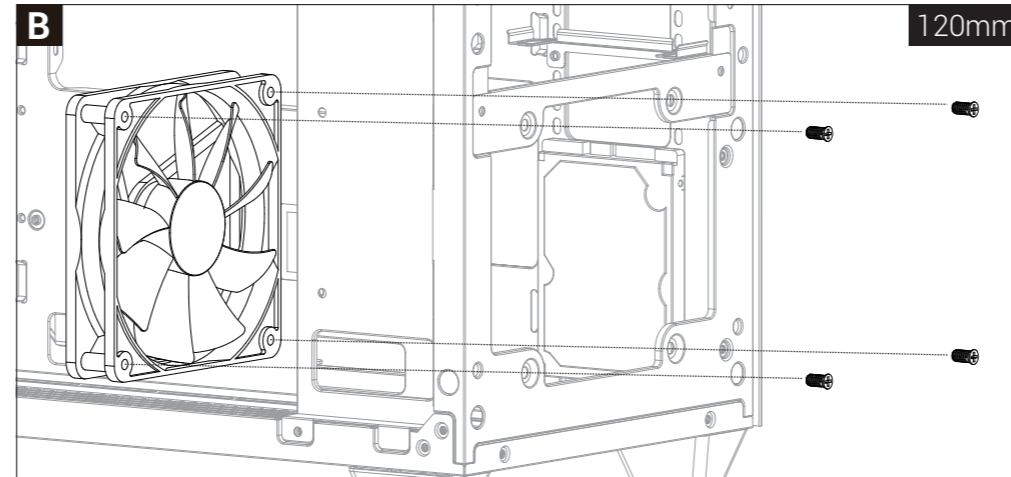
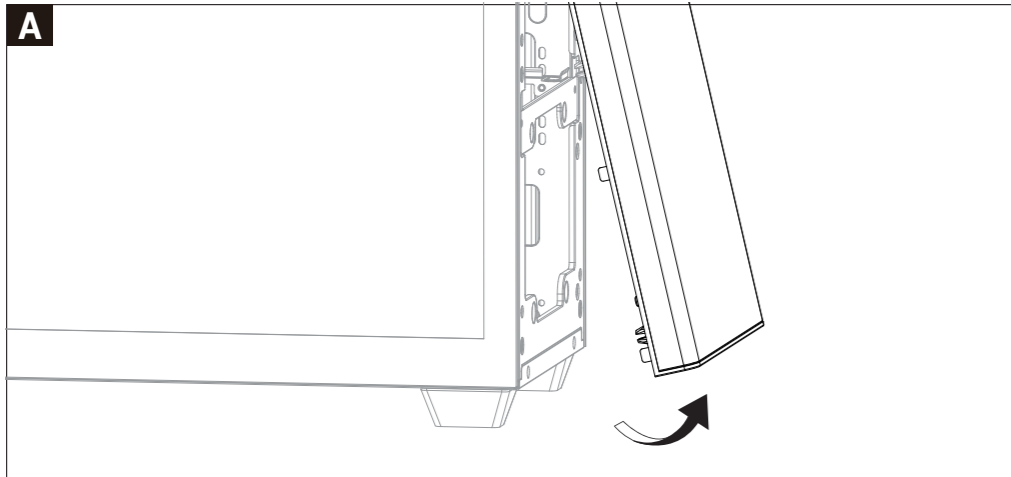
(8c) Install 2.5" SSD x1



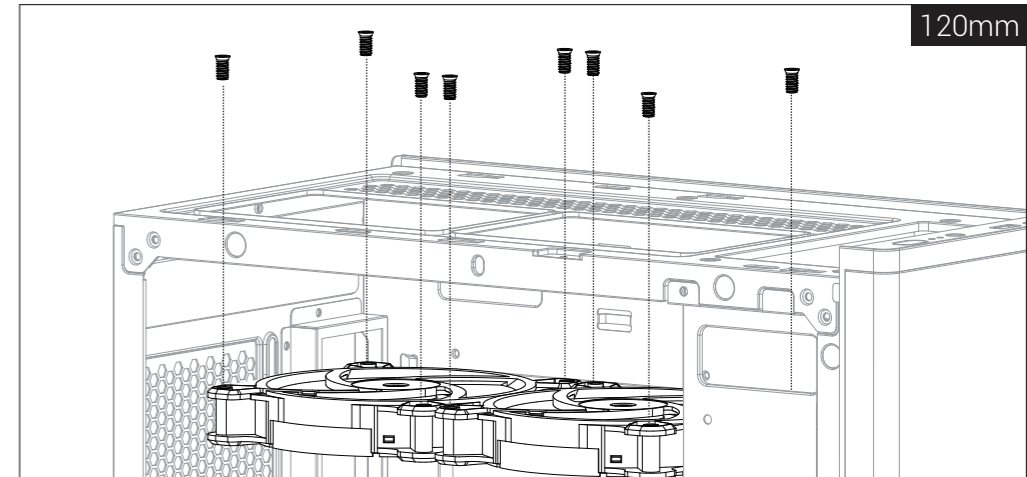
(8d) Install 2.5" SSD x1



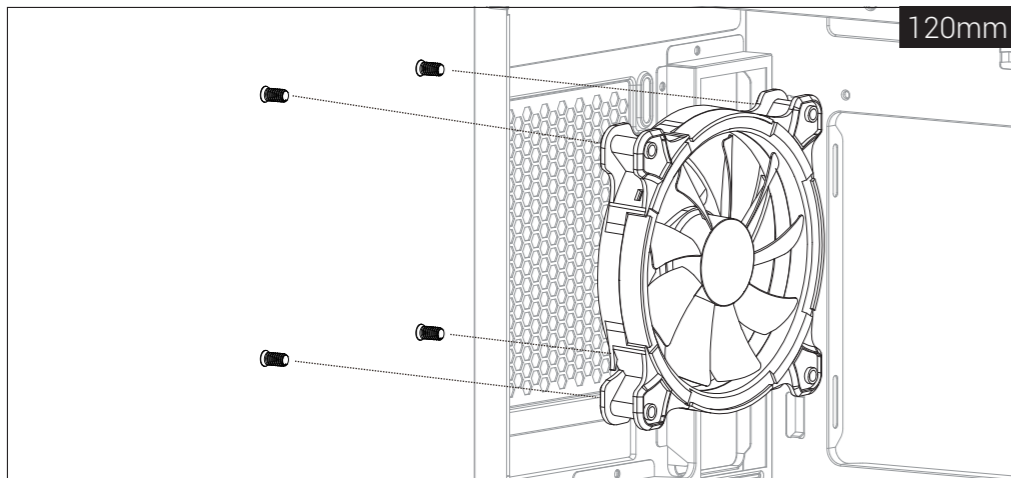
(9) Install Front Fan



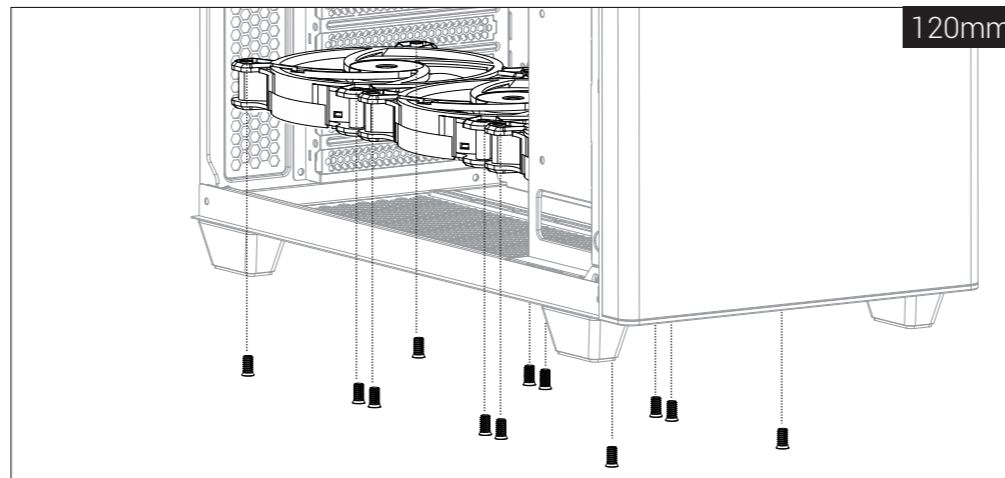
(10) Install Top Fans



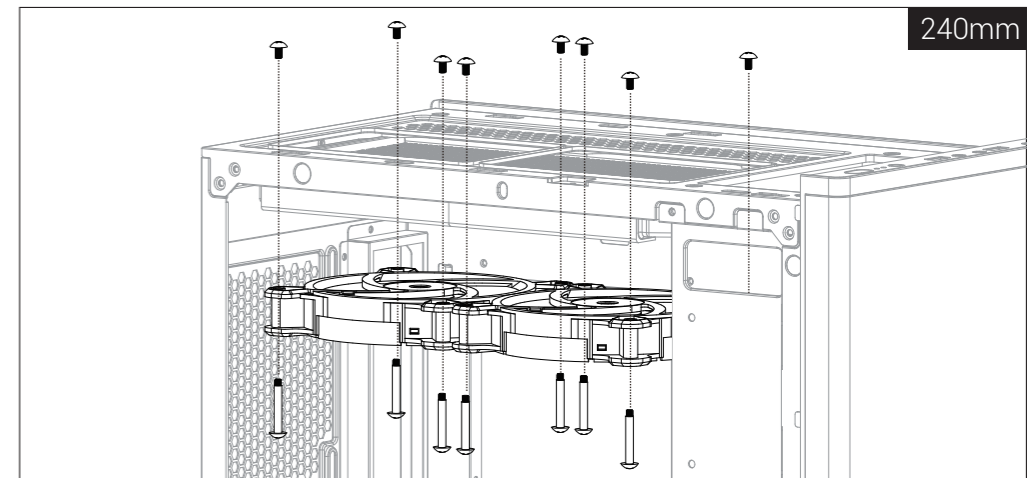
(11) Install Rear Fan



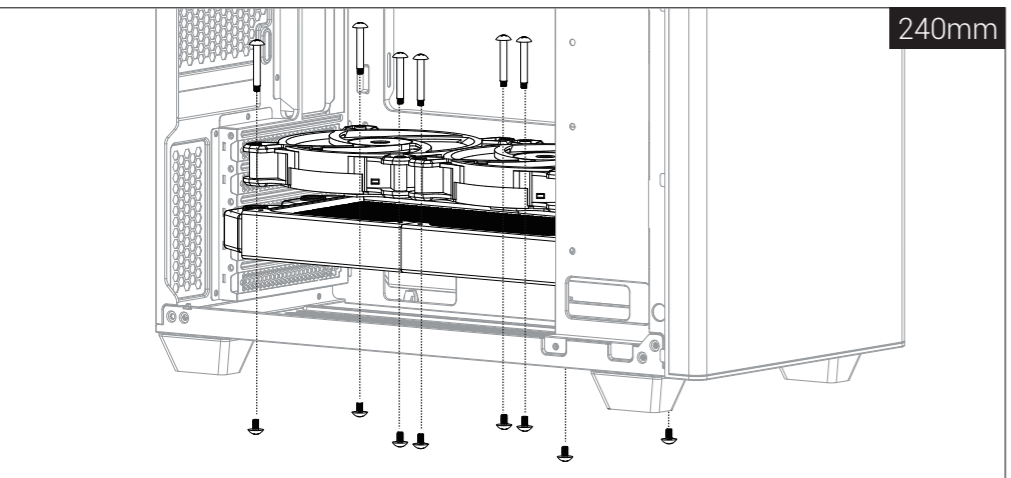
(12) Install Bottom Fans



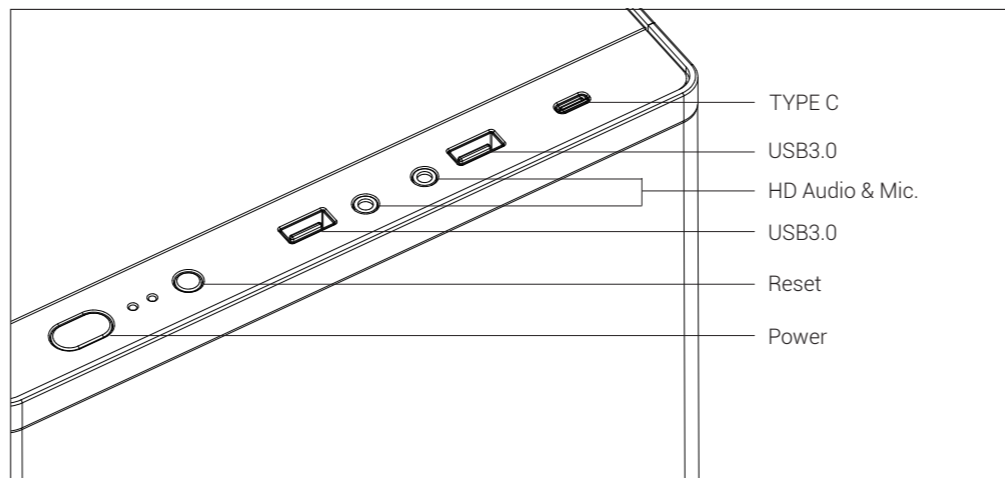
(13) Install Top Radiator



(14) Install Bottom Radiator



(15) I/O Panel



Note : Specifications may vary depending on your region. Contact your local retailer for more information.



Points de collecte sur [www.quefairemesdechets.fr](http://www.quefairemesdechets.fr)  
Privilégiez la réparation ou le don de votre appareil !