



## FAN BLADE

The world's first dual-layered fan blades - combination of plastic and rubber fan blades to absorb "Wind" noise.  
 Patent : Taiwan - M468707 ; Germany - 202014101115.3 ; China - ZL 2013 2 0713376.8 Patent pending : USA



Optimized fan blade angle design for a perfect balance of airflow and noise.



## NOISE DAMPING ANTI-VIBRATION

2-IN-1 silencer block and anti-vibration pads reduce vibration and further reducing noise from spinning fan.

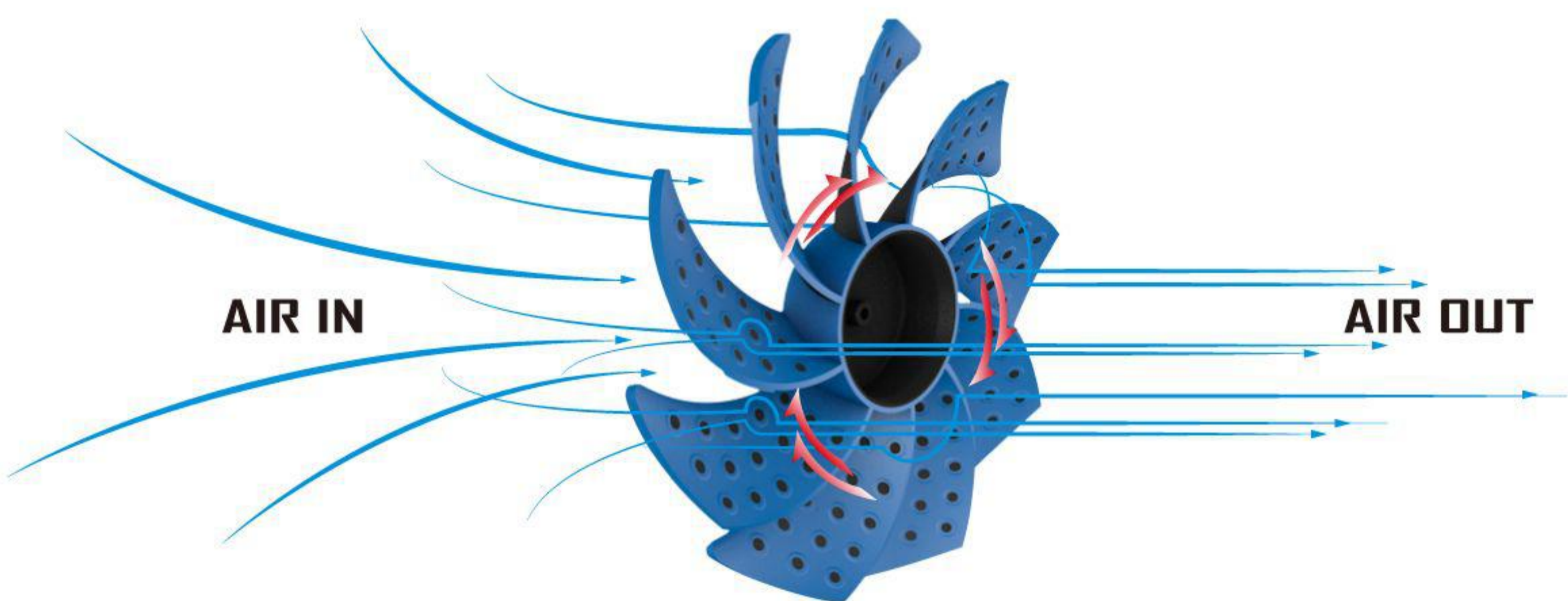


Silencer blocks in action.

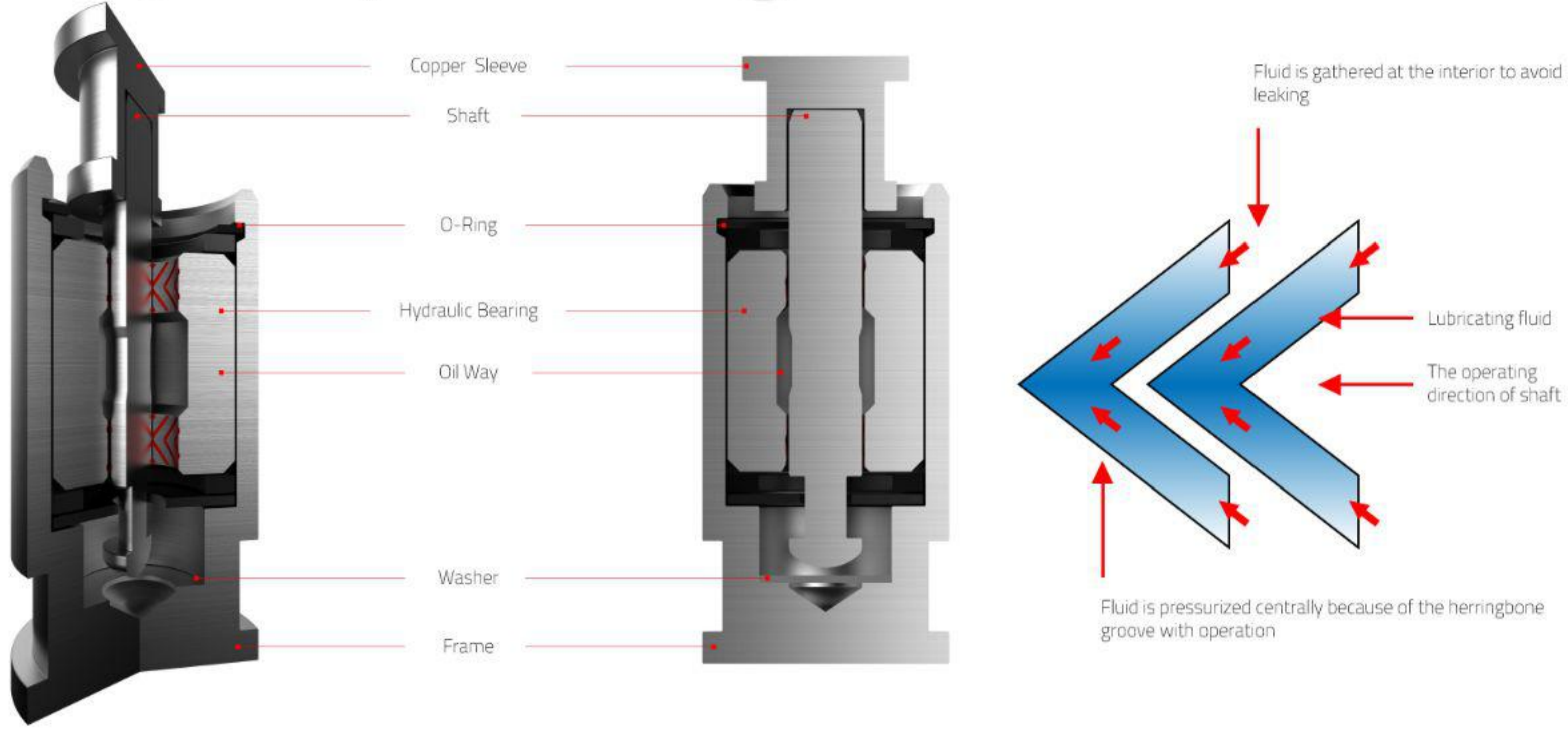


## GOLF BALL DESIGN

"Golf Ball" surface design on the back side of the fan blades will minimize the air turbulence.



## FDB (Fluid Dynamic Bearing) TECHNOLOGY



## GALLERY



## SPECIFICATION

Model Name	Dead Silent 12cm	
Dimensions	120 X 120 X 25mm	
Net Weight	170g	
Gross Weight	240g (Retail Box Included)	
Bearing System	FDB (Fluid Dynamic Bearing)	
Rated Voltage	DC 12V	
Starting Voltage	≥3.0V	
Rated Current	0.2A	
Power Consumption	2.4W	
Power Connector	3Pin With Signal Cable	
Accessories	3pin To Molex 4pin Adapter x1 7V Voltage Reduction 3pin Adapter x1 Screws x4 Rubber Rivet x4	
MTBF	100,000 hours	
Performance	12V	7V - With 7V Voltage Reduction 3pin Adapter
Speed	1200 RPM±10%	800 RPM±10%
Air Flow	54.8 CFM (92.9 m <sup>3</sup> /h)	36.7 CFM (62.2m <sup>3</sup> /h)
Air Pressure	1.48 mm H2O	0.99 mm H2O
Noise	15.8dBA	12.1 dBA
EAN Code	4713105951561 - Black Edition 4713105951585 - Blue Edition 4713105951578 - Red Edition 4713105951592 - White Edition	

## REVIEWS & AWARDS



## VIDEO REVIEWS

